

	1
	1
	
1-1	
1-1	
1-	
1-	
1-	
1-	11
1-	1
1-	1
1-	1
1-	1
1-10	1
1-11	
1-1	
1-1	
1-1	
1-1	
1-1	0
1-1	
1-1	
	
	
-1	
-1	
-	0
-	1
-	
-	
-	
-	
-	1
-10	
-11	
-1	
-1	
-1	1
-1	
-1	
-1	
-1	
	0

[2014] 55

- 1.
- 2.
- 3.
- 4.

--

--

		1-1	1	1-1	1-1
		-1	1	-1	-1
		-1	1	-1	-1

1

I/O

C

/

Kei I C

2

1

/ /

Kei I C

MCU

/ /

2

6S (

)

/

3

120

4

20		10	0	
				1
				2
		10		3
				4
			5	

10

5

30

1



2

PCB

E

3

1



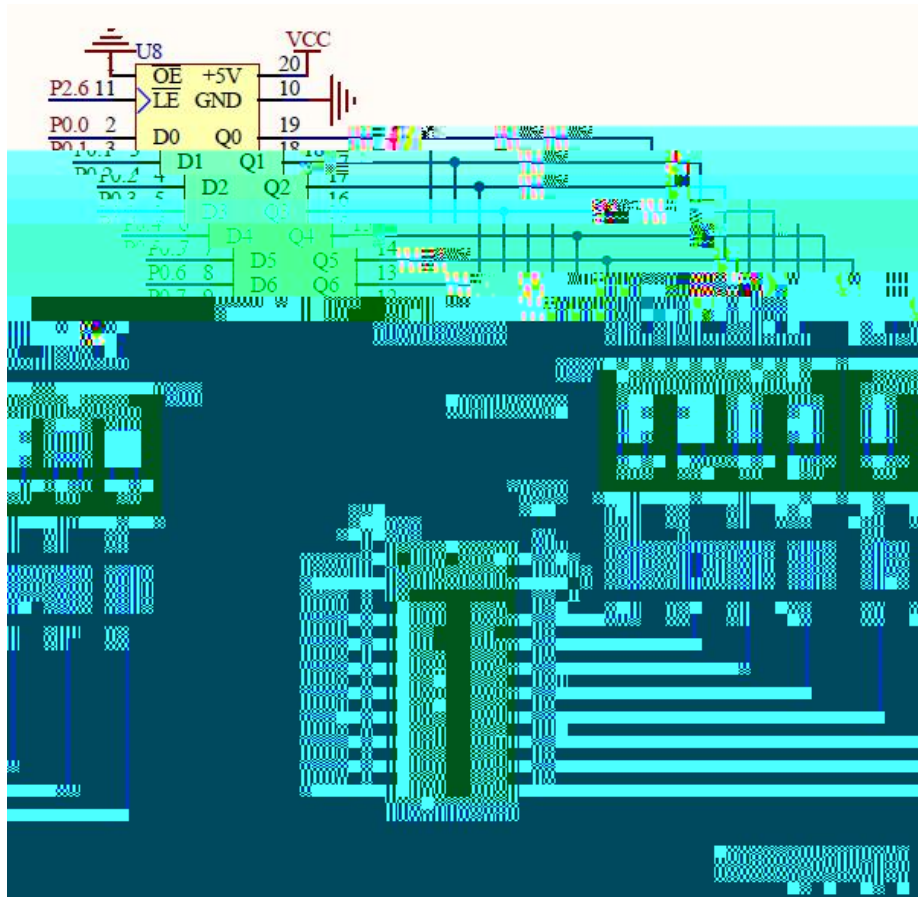
2

PCB

E

3

1

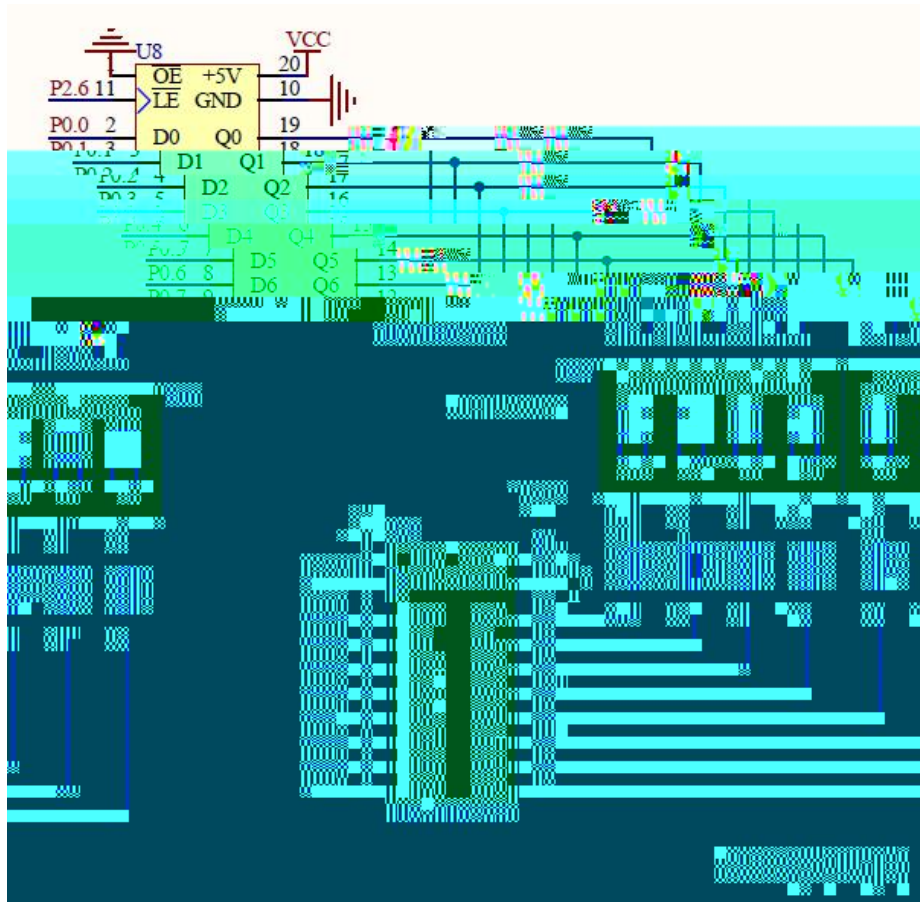


2

PCB
E

3

1



1

K1 8



2

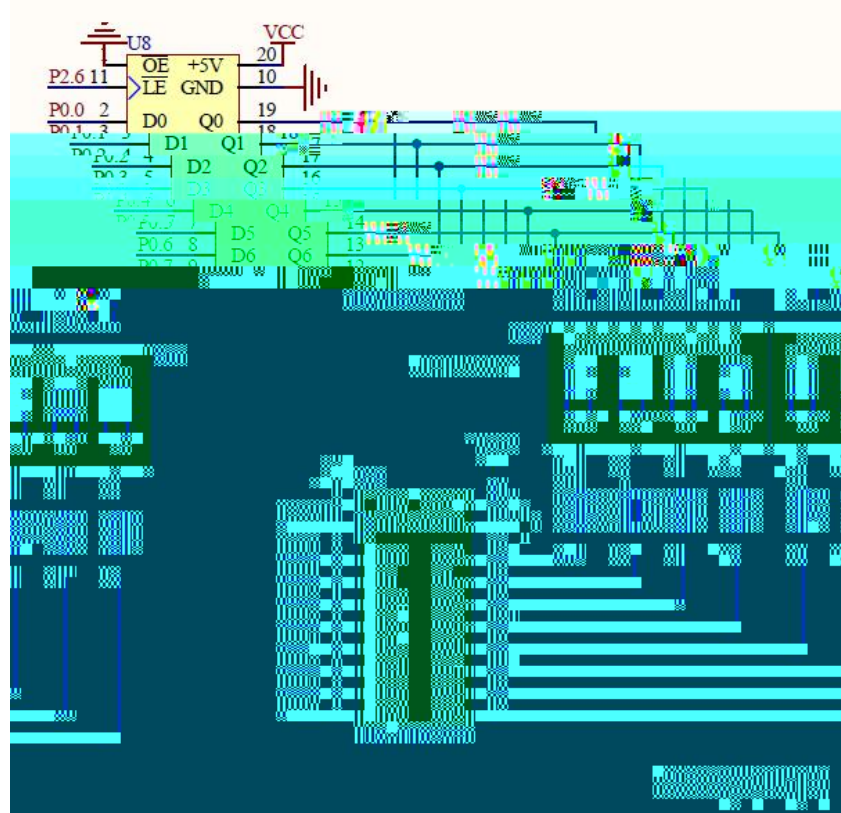
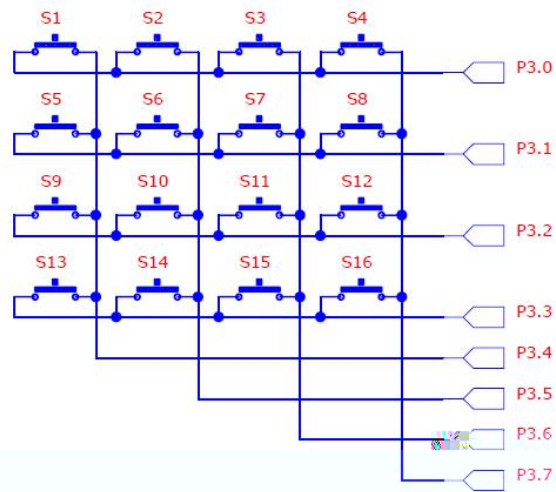
PCB
E

3

1

S1-S16

O-F



2

PCB

E

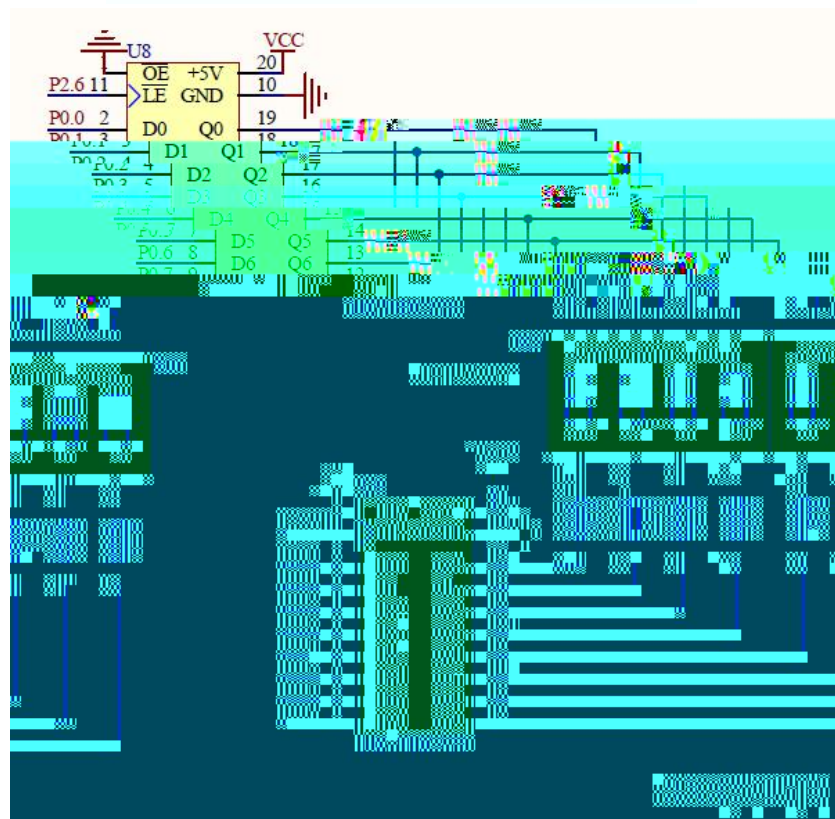
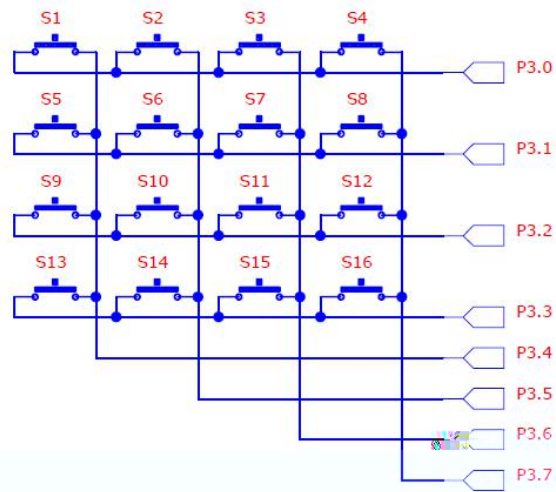
3

1

P3.2

9 0

1



2

PCB

E

3

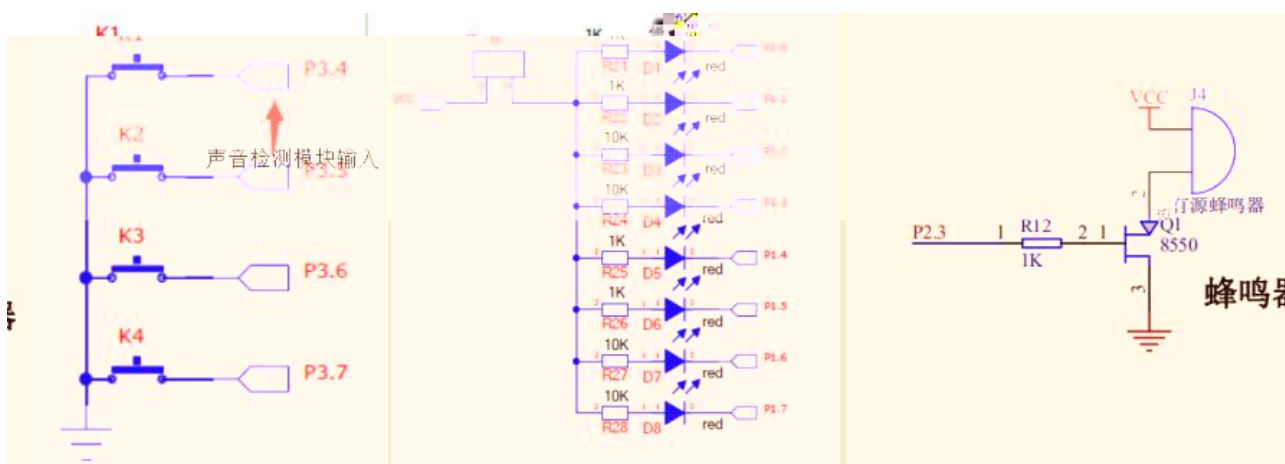
1

P3.4

1

P3.4

D1



1

2

PCB

E

3

1

P3.7

1

P3.7



1

2

PCB
E

3

1

1

K1

D1

K2

D2



1

2

PCB

E

3

1

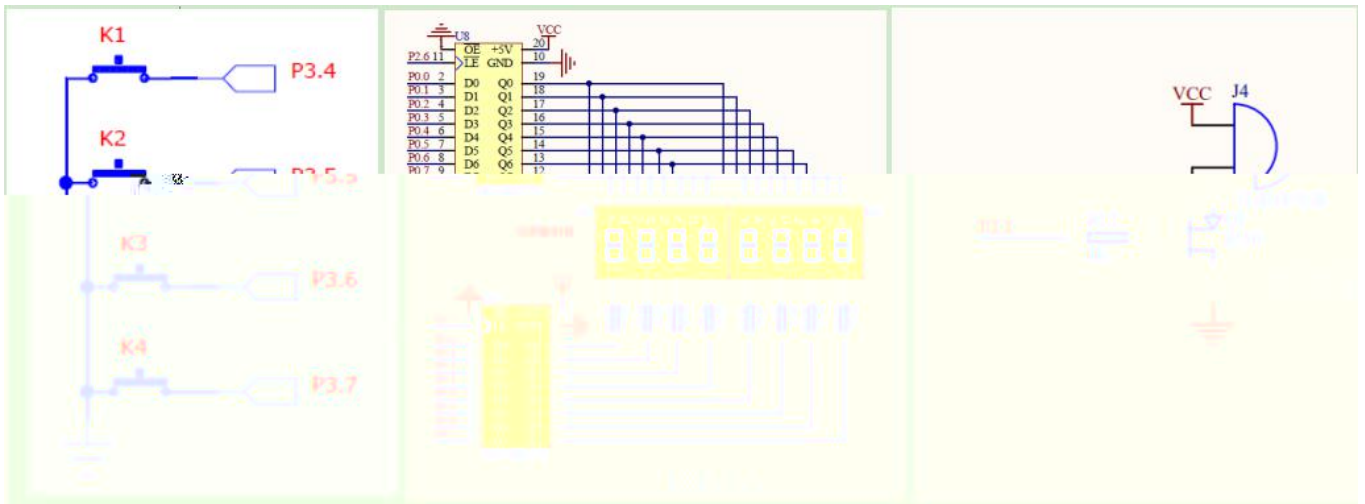
1

K1

K2 K3 K4

K1

" 1"



2

PCB

E

3

1

2



2

PCB

E

3

1

1

P3.6

P3.6



1

2

PCB

E

3

0

1

0.5S 0.5S



2

PCB

E

3

1

K1

D1-D4

K2

D5-D8



2

PCB

E

3

1

/ /

1

/ /

/ /

()

/

1 0

20		10			0
			1		
		10	2		
			3		

			4	
			5	
30		10		
		5		
		5		
		10		
50		5		
		5	1 2	PCB
		10		
		15	1 2 3	
		15		

5

18

1



2

3

1



2

3

1



2

3

1



2

3

1



2



3

1

1	VBAT	VDD	64
2	PC13/ANT1	VSS	63
3	PC14/OSC32	PB9/TIM4_CH4/SDIO_D5	62
4	PC15/OSC32	PB8/TIM4_CH3/SDIO_D4	61
5	PD0/OSCIN		60
6	PD1/OSCCAT		59
7	PD2		58
8	PC13/ANT1		57
9	PC14/OSC1		56
10	PC14/OSC1		55
11	PC14/OSC1		54
12	PC14/OSC1		53
13	PC14/OSC1		52
14	PC14/OSC1		51
15	PC14/OSC1		50
16	PC14/OSC1		49
17	PC14/OSC1		48
18	PC14/OSC1		47
19	PC14/OSC1		46
20	PC14/OSC1		45
21	PC14/OSC1		44
22	PC14/OSC1		43
23	PC14/OSC1		42
24	PC14/OSC1		41
25	PC14/OSC1		40
26	PC14/OSC1		39
27	PC14/OSC1		38
28	PC14/OSC1		37
29	PC14/OSC1		36
30	PC14/OSC1		35
31	PC14/OSC1		34
32	PC14/OSC1		33
33	PC14/OSC1		32
34	PC14/OSC1		31
35	PC14/OSC1		30
36	PC14/OSC1		29
37	PC14/OSC1		28
38	PC14/OSC1		27
39	PC14/OSC1		26
40	PC14/OSC1		25
41	PC14/OSC1		24
42	PC14/OSC1		23
43	PC14/OSC1		22
44	PC14/OSC1		21
45	PC14/OSC1		20
46	PC14/OSC1		19
47	PC14/OSC1		18
48	PC14/OSC1		17
49	PC14/OSC1		16
50	PC14/OSC1		15
51	PC14/OSC1		14
52	PC14/OSC1		13
53	PC14/OSC1		12
54	PC14/OSC1		11
55	PC14/OSC1		10
56	PC14/OSC1		9
57	PC14/OSC1		8
58	PC14/OSC1		7
59	PC14/OSC1		6
60	PC14/OSC1		5
61	PC14/OSC1		4
62	PC14/OSC1		3
63	PC14/OSC1		2
64	PC14/OSC1		1

2

3

1



2

3

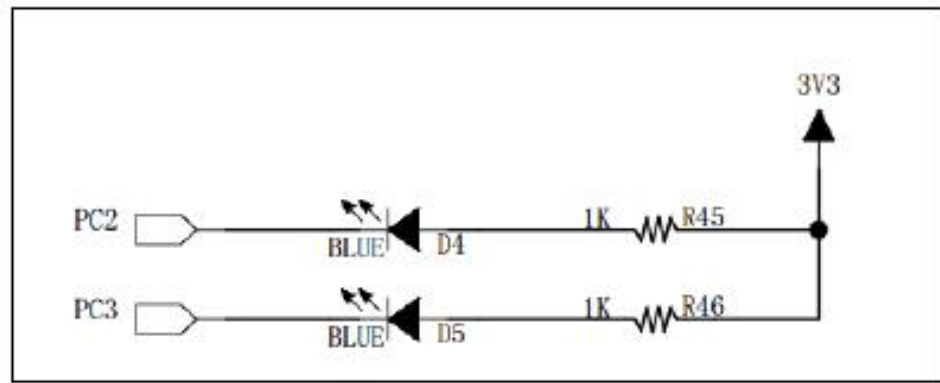
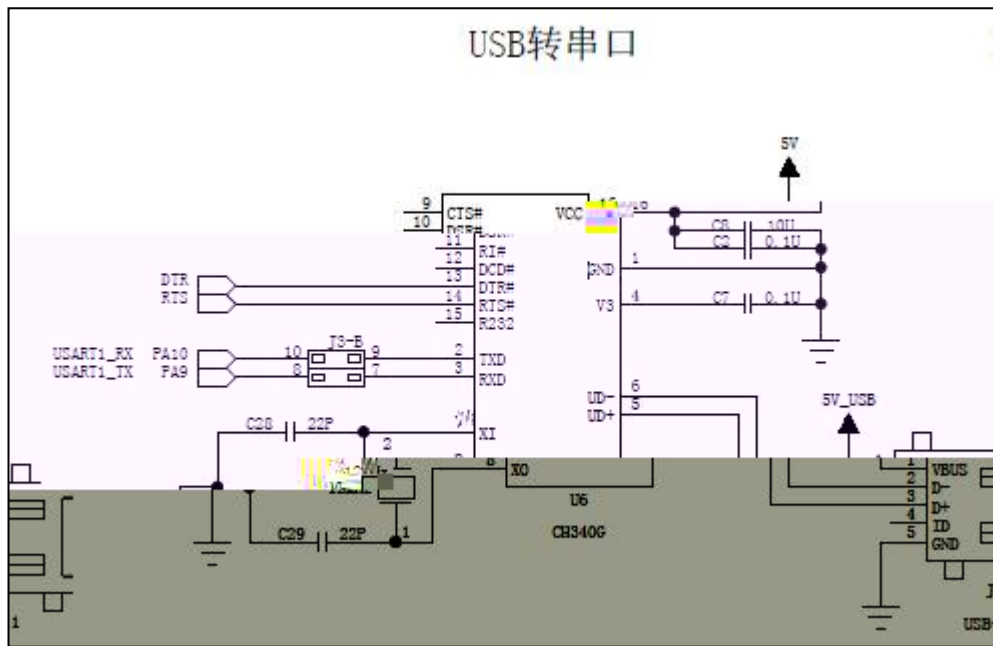
1

1	VBAT	VDD	64
2	PC13/ANT1	VSS	63
3	PC14/OSC32	PB9/TIM4_CH4/SDIO_D5	62
4	PC15/OSC32	PB8/TIM4_CH3/SDIO_D4	61
5	PD0/OSCIN		60
6	PD1/OSCOLT		59
7	PD2	PF7/PC1	58
8	PD3	PF6/PC0	57
9	PD4/PC13	PF5/PC13	56
10	PD5/PC14	PF4/PC14	55
11	PD6/PC15	PF3/PC15	54
12	PD7	PF2/PC16	53
13	PD8	PF1/PC17	52
14	PD9	PF0/PC18	51
15	PD10	PF9/PC19	50
16	PD11	PF8/PC20	49
17	PD12	PF7/PC21	48
18	PD13	PF6/PC22	47
19	PD14	PF5/PC23	46
20	PD15	PF4/PC24	45
21	PD16	PF3/PC25	44
22	PD17	PF2/PC26	43
23	PD18	PF1/PC27	42
24	PD19	PF0/PC28	41
25	PD20	PF9/PC29	40
26	PD21	PF8/PC30	39
27	PD22	PF7/PC31	38
28	PD23	PF6/PC32	37
29	PD24	PF5/PC33	36
30	PD25	PF4/PC34	35
31	PD26	PF3/PC35	34
32	PD27	PF2/PC36	33
33	PD28	PF1/PC37	32
34	PD29	PF0/PC38	31
35	PD30	PF9/PC39	30
36	PD31	PF8/PC40	29
37	PD32	PF7/PC41	28
38	PD33	PF6/PC42	27
39	PD34	PF5/PC43	26
40	PD35	PF4/PC44	25
41	PD36	PF3/PC45	24
42	PD37	PF2/PC46	23
43	PD38	PF1/PC47	22
44	PD39	PF0/PC48	21
45	PD40	PF9/PC49	20
46	PD41	PF8/PC50	19
47	PD42	PF7/PC51	18
48	PD43	PF6/PC52	17
49	PD44	PF5/PC53	16
50	PD45	PF4/PC54	15
51	PD46	PF3/PC55	14
52	PD47	PF2/PC56	13
53	PD48	PF1/PC57	12
54	PD49	PF0/PC58	11
55	PD50	PF9/PC59	10
56	PD51	PF8/PC60	9
57	PD52	PF7/PC61	8
58	PD53	PF6/PC62	7
59	PD54	PF5/PC63	6
60	PD55	PF4/PC64	5
61	PD56	PF3/PC65	4
62	PD57	PF2/PC66	3
63	PD58	PF1/PC67	2
64	PD59	PF0/PC68	1

2

3

1



2

3

-

3

-

1

2



1



2

3

-

3

-

3

-



2

3

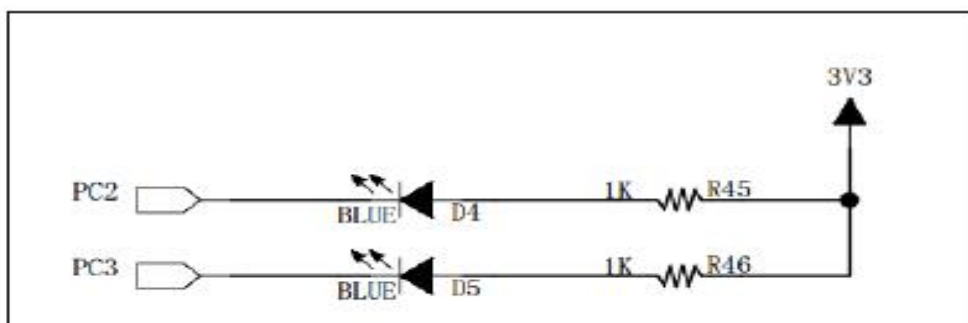
-

1



2

3

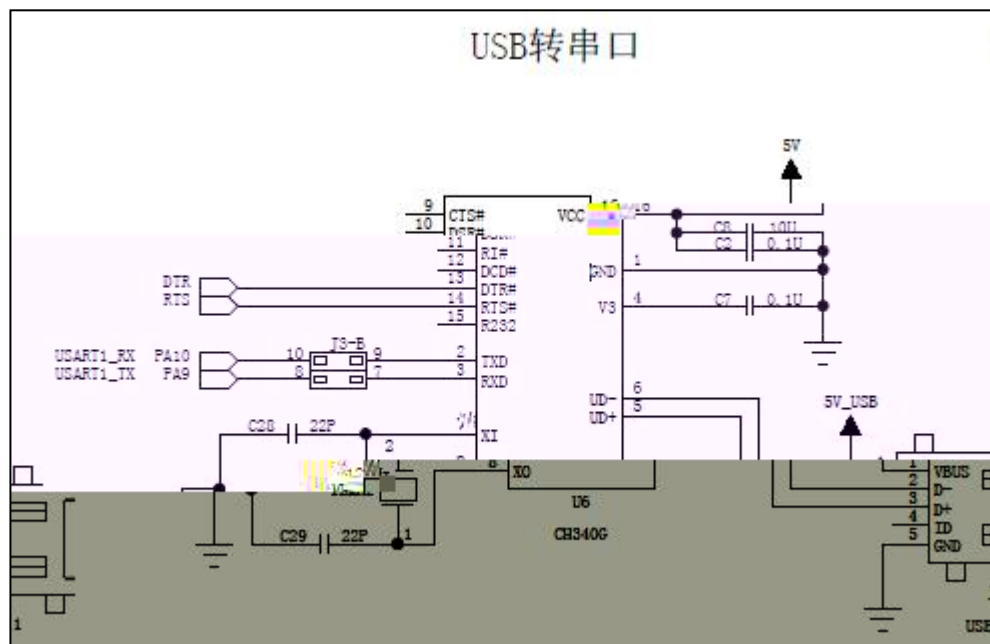


2

3

-

1



2

3

-

1

1

/ /

.0

/ /

()

/

1 0

20		10			0	
			6			
			7			
		10	8			
			9			

			10	
30				
		10		
		10		
50				
		10		

5

18

1
2

20sp

RGB #FF0000



3 :

2
1



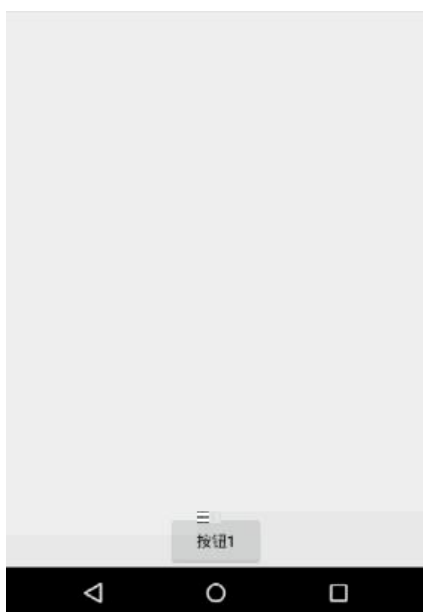
3 :

1

2

1

2



3

:

TextView

2

1



3

1

2



3

2

1

2



3

1

1 1 1 1

2

1

2

1 1 1 1



3

1

2

1



3

1

2

1

2



3

1

2

1

2



3

1

2

1



3

1

LED

2

1

2

3

TextView LED



3

1

LED

2

1

2

3

TextView LED



3

1

LED

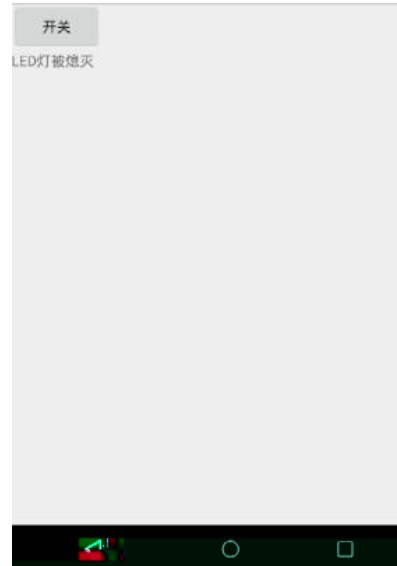
2

1

2

3

TextView LED



3

1

LED

2

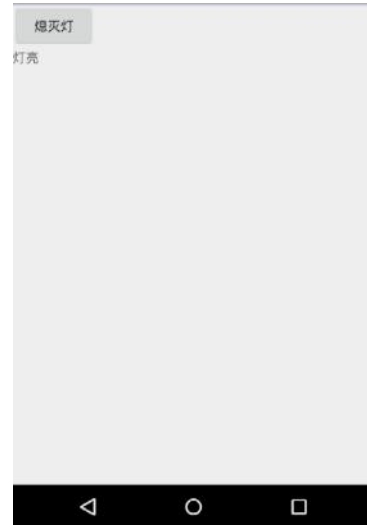
1

2

3

4

TextVi ew



3

1

LED

2

1

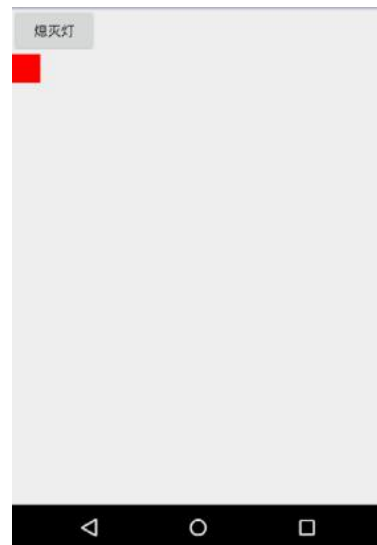
2

3

4

ImageView

30dp*30dp



3

1

2

1

2



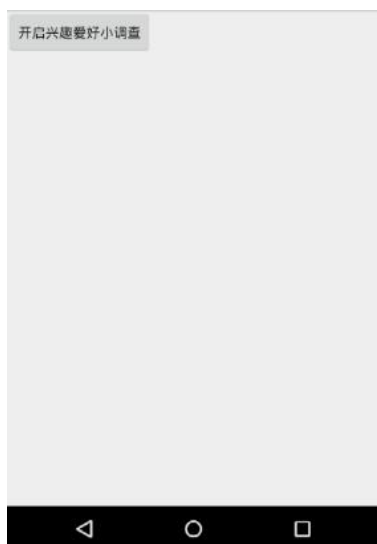
3

1

2

1

2



3